



**Thermocouple Technology Inc.**  
350 New Street  
Quakertown, PA 18951  
Telephone 215-529-9394 FAX 215-529-9397  
[www.tteconline.com](http://www.tteconline.com)



**“KWIK-SHIP™,”  
THERMOWELL ASSEMBLIES**

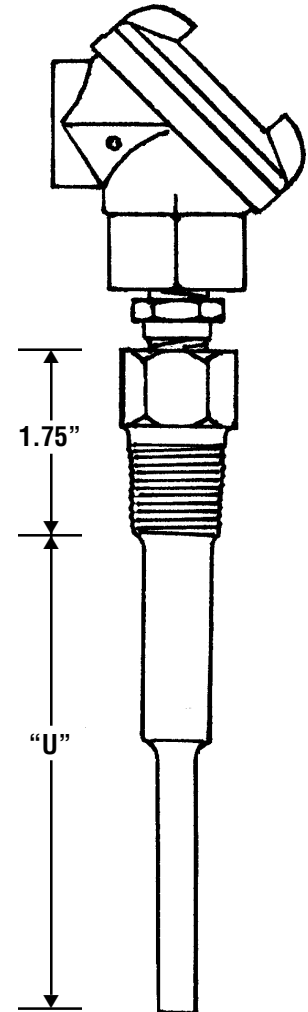
**IN  
STOCK**

- COMPLETE THERMOWELL ASSEMBLIES IN STOCK
- THERMOCOUPLE OR RTD MODELS
- MOST POPULAR IMMERSION LENGTHS
- SPRING LOADED DESIGN
- CHOICE OF EXTENSIONS BETWEEN THERMOWELL & HEAD
- T/C TYPES J, K, E, T
- RTD's: PLATINUM, 100 OHMS@0 DEGREES C, .00385
- DRILLED BARSTOCK, 316SS THERMOWELLS
- 3/4" NPT PROCESS CONNECTION
- WEATHERPROOF HEADS: CAST ALUMINUM
- .250"-304SS PROBES
- EXTENSIONS: SPRING LOADED FITTING OR SPRING LOADED FITTING/UNION/NIPPLE

# “KWIK-SHIP™” THERMOWELL ASSEMBLIES

TYPE	RANGE °F	“U” (INCHES)	PART #	PRICE
IRON CONSTANTAN GROUNDED	+32+1300	2.5	QA1-J-2.5-G1	
		4.5	QA1-J-4.5-G1	
		6.0	QA1-J-6-G1	
		7.5	QA1-J-7.5-G1	
		9.0	QA1-J-9-G1	
IRON CONSTANTAN UNGROUNDED	+32+1300	10.5	QA1-J-10.5-G1	
		2.5	QA1-J-2.5-U1	
		4.5	QA1-J-4.5-U1	
		6.0	QA1-J-6-U1	
		7.5	QA1-J-7.5-U1	
CHROMEL ALUMEL GROUNDED	+32+1300	9.0	QA1-J-9-U1	
		10.5	QA1-J-10.5-U1	
		2.5	QA1-K-2.5-G1	
		4.5	QA1-K-4.5-G1	
		6.0	QA1-K-6-G1	
CHROMEL ALUMEL UNGROUNDED	+32+1300	7.5	QA1-K-7.5-G1	
		9.0	QA1-K-9-G1	
		10.5	QA1-K-10.5-G1	
		2.5	QA1-K-2.5-U1	
		4.5	QA1-K-4.5-U1	
CHROMEL CONSTANTAN GROUNDED	+32+1300	6.0	QA1-K-6-U1	
		7.5	QA1-K-7.5-U1	
		9.0	QA1-K-9-U1	
		10.5	QA1-K-10.5-U1	
		2.5	QA1-E-2.5-G1	
CHROMEL CONSTANTAN UNGROUNDED	+32+1300	4.5	QA1-E-4.5-G1	
		6.0	QA1-E-6-G1	
		7.5	QA1-E-7.5-G1	
		9.0	QA1-E-9-G1	
		10.5	QA1-E-10.5-G1	
CHROMEL CONSTANTAN UNGROUNDED	+32+1300	2.5	QA1-E-2.5-U1	
		4.5	QA1-E-4.5-U1	
		6.0	QA1-E-6-U1	
		7.5	QA1-E-7.5-U1	
		9.0	QA1-E-9-U1	
COPPER CONSTANTAN GROUNDED	-330+400	10.5	QA1-E-10.5-U1	
		2.5	QA1-T-2.5-G1	
		4.5	QA1-T-4.5-G1	
		6.0	QA1-T-6-G1	
		7.5	QA1-T-7.5-G1	
COPPER CONSTANTAN UNGROUNDED	-330+400	9.0	QA1-T-9-G1	
		10.5	QA1-T-10.5-G1	
		2.5	QA1-T-2.5-U1	
		4.5	QA1-T-4.5-U1	
		6.0	QA1-T-6-U1	
PLATINUM 100 OHMS@0°C .00385, 3 WIRE	-58+900	7.5	QA1-T-7.5-U1	
		9.0	QA1-T-9-U1	
		10.5	QA1-T-10.5-U1	
		2.5	QA1-A-2.5-B1	
		4.5	QA1-A-4.5-B1	
RTD	-58+900	6.0	QA1-A-6-B1	
		7.5	QA1-A-7.5-B1	
		9.0	QA1-A-9-B1	
		10.5	QA1-A-10.5-B1	

**IN STOCK**



**Thermocouple Technology Inc.**

350 New Street

Quakertown, PA 18951

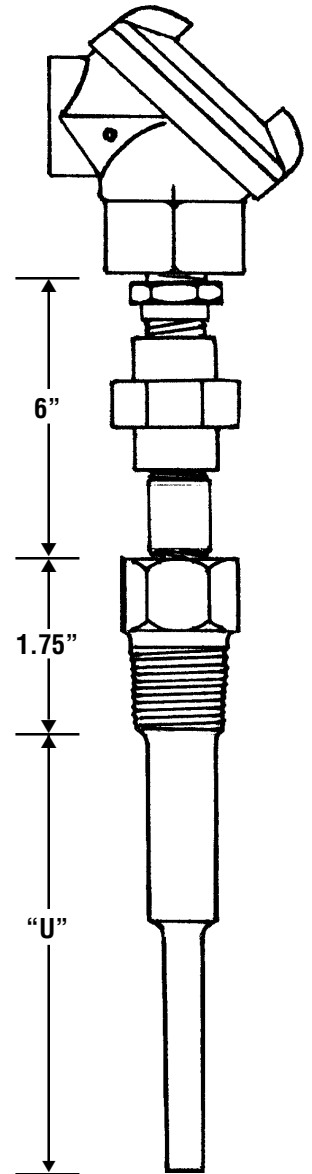
Telephone 215-529-9394 FAX 215-529-9397

www.tteconline.com

# “KWIK-SHIP™” THERMOWELL ASSEMBLIES

TYPE		RANGE °F	“U” (INCHES)	PART #	PRICE
IRON CONSTANTAN GROUNDED	<b>J</b>	+32+1300	2.5	QA1-J-2.5-G2	
			4.5	QA1-J-4.5-G2	
			6.0	QA1-J-6-G2	
			7.5	QA1-J-7.5-G2	
			9.0	QA1-J-9-G2	
IRON CONSTANTAN UNGROUNDED	<b>J</b>	+32+1300	2.5	QA1-J-2.5-U2	
			4.5	QA1-J-4.5-U2	
			6.0	QA1-J-6-U2	
			7.5	QA1-J-7.5-U2	
			9.0	QA1-J-9-U2	
CHROMEL ALUMEL GROUNDED	<b>K</b>	+32+1300	2.5	QA1-K-2.5-G2	
			4.5	QA1-K-4.5-G2	
			6.0	QA1-K-6-G2	
			7.5	QA1-K-7.5-G2	
			9.0	QA1-K-9-G2	
CHROMEL ALUMEL UNGROUNDED	<b>K</b>	+32+1300	2.5	QA1-K-2.5-U2	
			4.5	QA1-K-4.5-U2	
			6.0	QA1-K-6-U2	
			7.5	QA1-K-7.5-U2	
			9.0	QA1-K-9-U2	
CHROMEL CONSTANTAN GROUNDED	<b>E</b>	+32+1300	2.5	QA1-E-2.5-G2	
			4.5	QA1-E-4.5-G2	
			6.0	QA1-E-6-G2	
			7.5	QA1-E-7.5-G2	
			9.0	QA1-E-9-G2	
CHROMEL CONSTANTAN UNGROUNDED	<b>E</b>	+32+1300	2.5	QA1-E-2.5-U2	
			4.5	QA1-E-4.5-U2	
			6.0	QA1-E-6-U2	
			7.5	QA1-E-7.5-U2	
			9.0	QA1-E-9-U2	
COPPER CONSTANTAN GROUNDED	<b>T</b>	-330+400	2.5	QA1-T-2.5-G2	
			4.5	QA1-T-4.5-G2	
			6.0	QA1-T-6-G2	
			7.5	QA1-T-7.5-G2	
			9.0	QA1-T-9-G2	
COPPER CONSTANTAN UNGROUNDED	<b>T</b>	-330+400	2.5	QA1-T-2.5-U2	
			4.5	QA1-T-4.5-U2	
			6.0	QA1-T-6-U2	
			7.5	QA1-T-7.5-U2	
			9.0	QA1-T-9-U2	
PLATINUM 100 OHMS@0°C .00385, 3 WIRE	<b>RTD</b>	-58+900	2.5	QA1-A-2.5-B2	
			4.5	QA1-A-4.5-B2	
			6.0	QA1-A-6-B2	
			7.5	QA1-A-7.5-B2	
			9.0	QA1-A-9-B2	
			10.5	QA1-A-10.5-B2	

**IN STOCK**



**Thermocouple Technology Inc.**

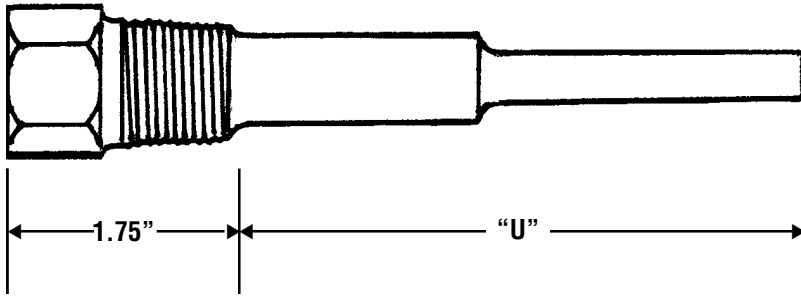
350 New Street

Quakertown, PA 18951

Telephone 215-529-9394 FAX 215-529-9397

www.tteconline.com

# “KWIK-SHIP™,” THERMOWELLS



**IN STOCK**

PART #	“U”	PRICE
QW1-2.5	2.5	
QW1-4.5	4.5	
QW1-6	6.0	
QW1-7.5	7.5	
QW1-9	9.0	
QW1-10.5	10.5	

- .260 BORE
- 3/4” NPT PROCESS
- 316 STAINLESS STEEL

Prices subject to change without notice. 5/98



CONTACT FACTORY  
FOR A COMPLETE  
PRODUCT CATALOG



**Thermocouple Technology Inc.**  
350 New Street  
Quakertown, PA 18951  
Telephone 215-529-9394 FAX 215-529-9397  
www.tteconline.com